

# Installation and mounting manual for EK-XTOP Revo Dual D5 PWM Serial (incl. pump)

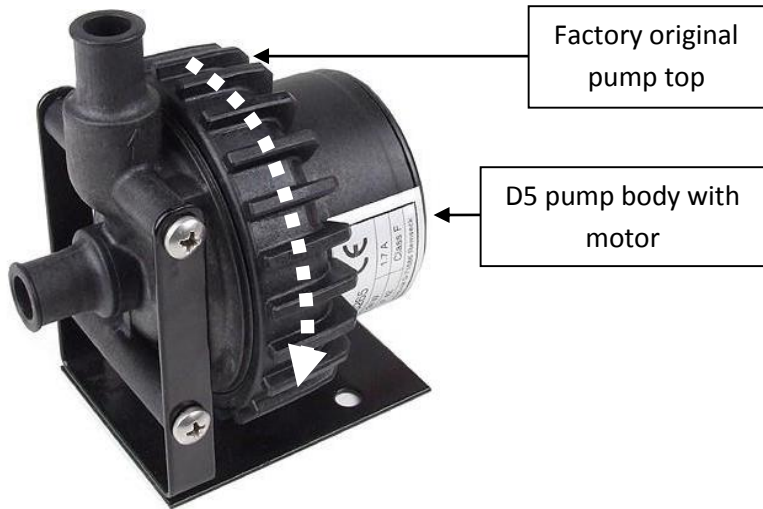
This product is intended for installation only by expert users. Please consult with a qualified technician for installation. Improper installation may result in damage to your equipment. EK Water Blocks assumes no liability whatsoever, expressed or implied, for the use of these products, nor their installation. The following instructions are subject to change without notice. Please visit our web site at [www.ekwb.com](http://www.ekwb.com) for updates. Before installation of this product please read important notice, disclosure and warranty conditions printed on the back of the box.

Before you start using this product please follow these basic guidelines:

1. Please carefully read the manual before through before beginning with the installation process!
2. The EK-HFB and EK-ACF type fittings require only a small amount of force to screw them firmly in place since the liquid seal is ensured by the rubber o-ring gaskets.
3. The use of corrosion inhibiting coolants is always recommended for any liquid cooling system.

## STEP 1: PREPARING THE PUMP (already done by EK)

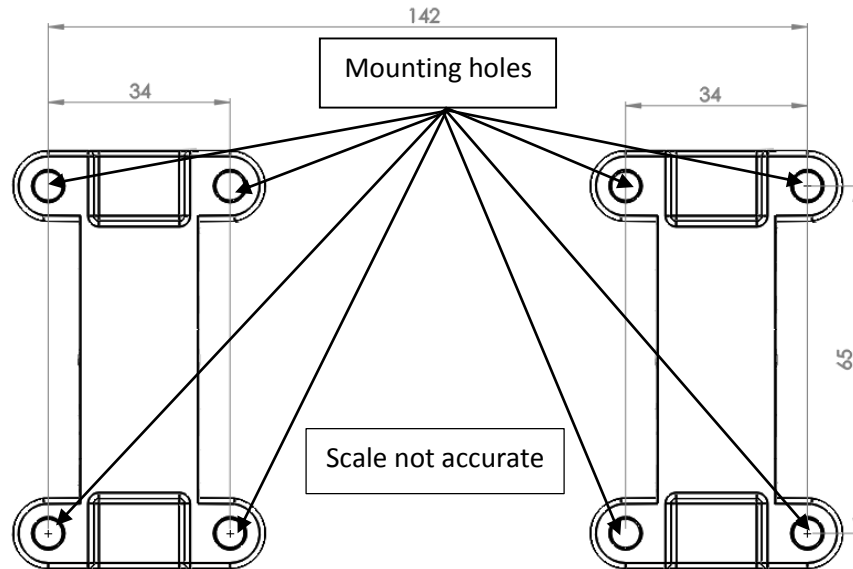
Unscrew the ribbed threaded ring that attaches the Laing pump's original factory top and the main pump core housing with motor. Store the original top, the original o-ring gasket and the attaching ring in a safe place.



Twist LEFT to unscrew!

## STEP 2: PREPARING MOUNTING HOLES (if not installed on fan)

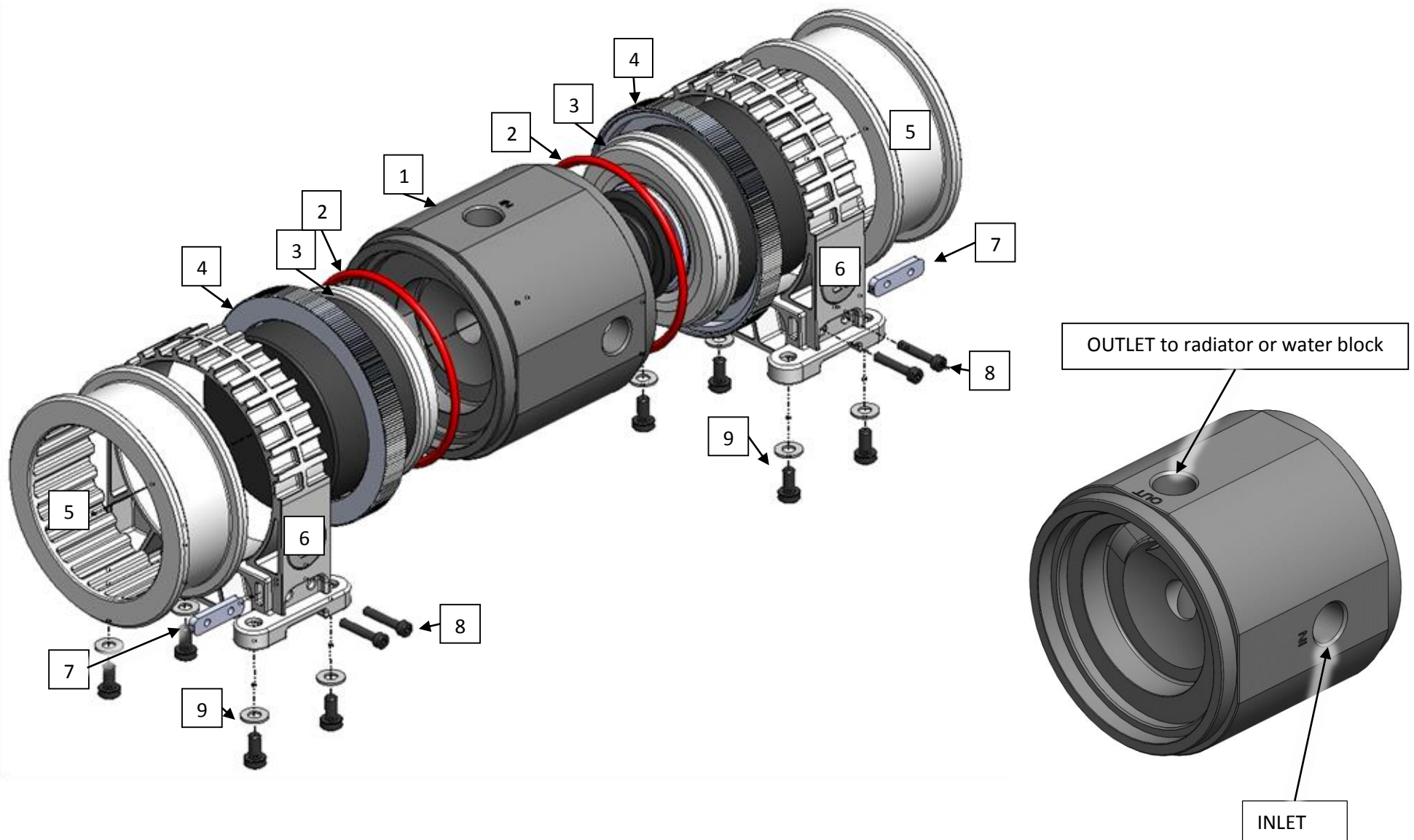
First you have to prepare place where the pump will be installed. Take enclosed stickers (2 identical) which each has 4 designated holes. Be careful that between outer holes is 142mm as shown on picture below. Stick it to the PC case where you want to place the pump. Be careful of correct pump position. (Step 5) Take a drill (5mm) and drill 8 holes on designated points.



## STEP 3: INSTALLING THE Dual XTOP AND HOLDER (already done by EK)

Dual XTOP comes in four (4) port version. Pump Top has side inlet ports and side OUTLET ports (see the picture below).

1. Take the sealing gaskets [2] and place it on each pump [3].
2. When the sealing gasket is in place take the pumps and place them onto the XTOP [1]. You can rotate the XTOP to alternate the position of the OUTLETs PORT to meet your requirements.
3. Fix the pumps [3] on the XTOP [1] using nuts [4].
4. Take the rubber dumpers [5] and place it into the Holders [6] as shown on the picture below.
5. When the Dumpers [5] are installed in to the Holders [6] push the assembled part onto the Pumps [3]. You can rotate the pump to alternate position of the outlet ports to meet your requirements.
6. Take the Screws M3x12 [8] and tighten them to secure the pumps to the holders. You should use Allen Key 2mm along with the M3 threaded mounting plate [7] which is preinstalled by EK.
7. Now you have successfully assembled the unit. Position the bottom Holder [6] holes on to the pre-drilled holes and secure the assembled unit using eight enclosed M4x10 screws and the PVC washers [9].



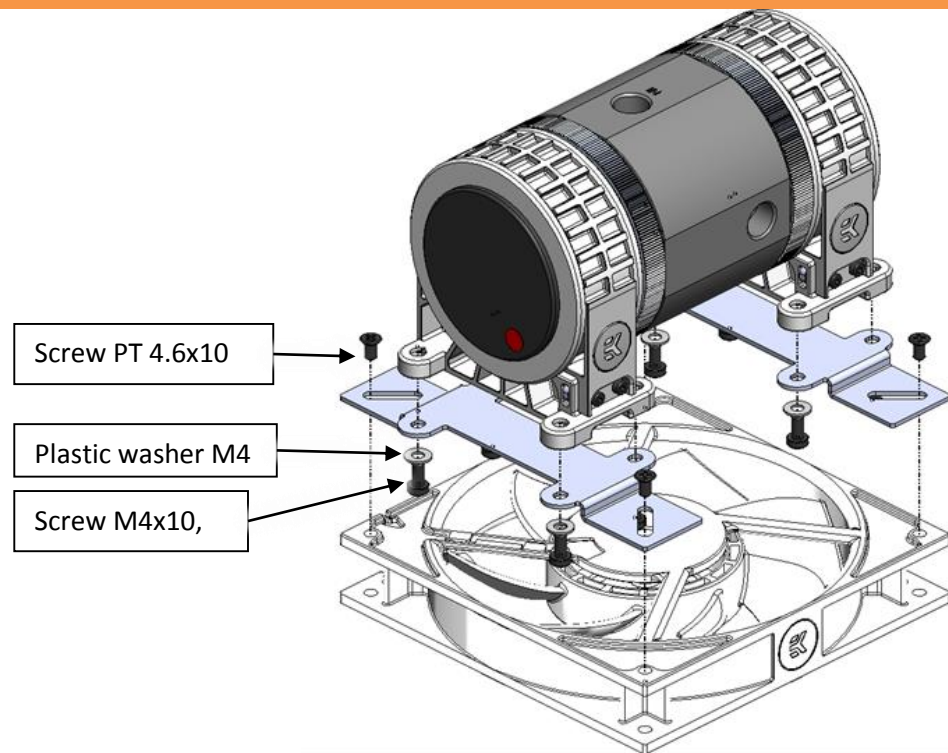
## STEP 4: PREPARING for mounting on fan

EK-XTOP Revo Dual D5 PWM (incl. pump) Come with mounting plates for pleasuring the unit on fan. You could place pump on 120mm or 140 mm fan.

1. Secure Mounting plates on Holders with M4x12 and plastic washers.

2. Secure pumps on fan with PT4.6x10 screws

2.1 If you place pumps on radiator use screws which came with radiator.



## STEP 5: ATTACHING FITTINGS

Screw in the fittings in the G1/4 threaded openings on plastic top. EKWB recommends using EK-ACF fittings with the EK-XTOP Revo Dual D5 series pump tops. To ensure that the tubes are securely attached to the barb/fittings, please use hose clamps or an appropriate substitute.

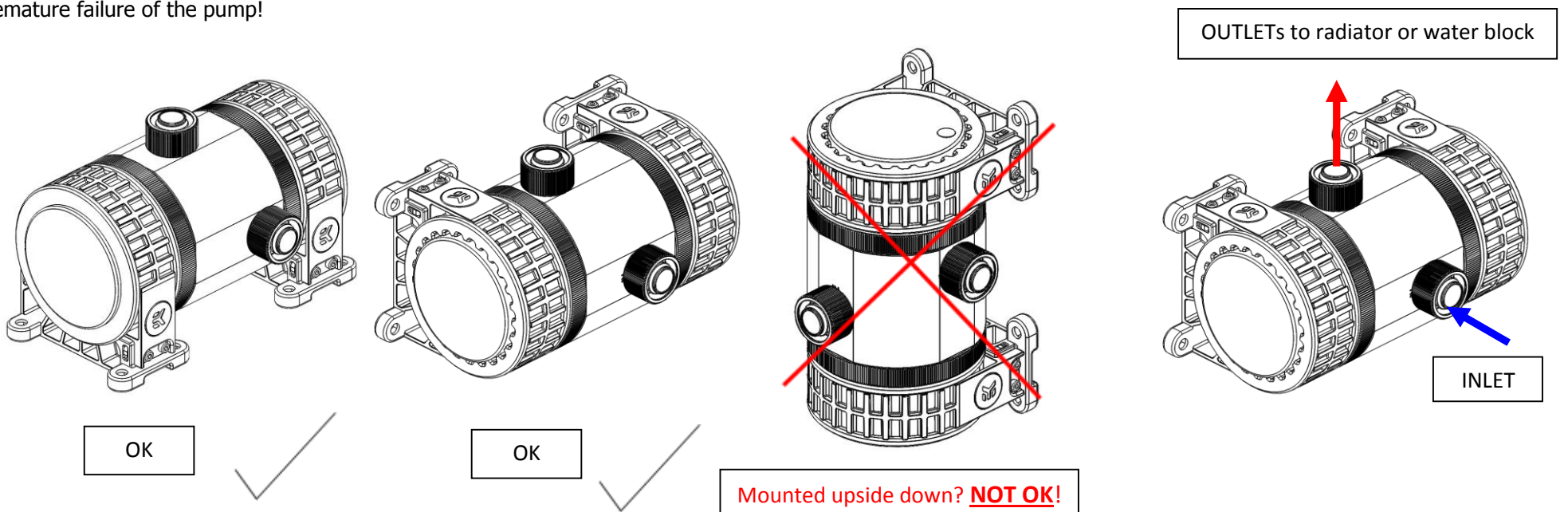
**It is mandatory to use the correct INLET and OUTLET ports:**

1. The OUTLET (pressure port) is the G1/4 threaded opening on the side of the pump top housing.
2. The INLET (suction port) is the side of G1/4 threaded opening on the EK-XTOP Revo Dual D5 side face plane. Please refer to the picture on the right!
3. Port with preinstalled plug can't be used. It is technical hole.

**Use reservoir to feed the pump in order to prime it:**

Connect reservoir **outlet** port with EK-XTOP Revo Dual D5 **inlet** port!

This water pump & EK-XTOP Revo Dual D5 can be used in any mounting configuration (position) apart from being mounted upside down! Mounting the pump upside down may result in pump running dry and eventually lead to premature failure of the pump!



## IMPORTANT DISCLOSURES:

**VERY IMPORTANT NOTICE:** Once the installation is completed, it is a recommended practice to test the cooling circuit for leaks prior to powering up the computer. We recommend a 24 hour leak test prior to powering up the computer. Do not test the water block using tap water pressure. This will rupture the top of the housing and render the block unusable (and will void your warranty). While all efforts have been made to provide the most comprehensive tutorial possible, EK Water Blocks assumes no liability expressed or implied for any consequential damage(s) occurring to your equipment as a result of using EK Water Blocks cooling products, either due to errors or omissions on our part in the above instructions, or due to failure or defect in the EK Water Blocks cooling products.

**WARRANTY:** Our products are warranted against defects in materials or workmanship for a period of 24 months beginning from the date of delivery to the final user. During this period, products will be repaired or have parts replaced at our discretion provided that: (I) the product is returned to the agent from whom it was purchased; (II) the product has been purchased by an end user and has not used for commercial purposes; (III) the product has not been misused, handled carelessly, or used in a manner other than in accordance with the instructions provided describing its installation and proper use. This warranty does not confer rights other than those expressly set out above and does not cover any claims for consequential loss or damage. This warranty is offered as an extra benefit and does not affect your statutory rights as a consumer. This warranty is voided if the product comes in contact with aggressive UV additives or other improper liquids.

Any other RMA issues can be reported to [www.ekwb.com/support](http://www.ekwb.com/support) for further analysis.

**REQUIRED TOOLS:** Allen key 2.5mm and allen key 2mm ( Both are enclosed)